

WATER
HEATING
VENTILATION
AIR CON

FUTURE VALVE TECHNOLOGY

Hook-Up II

Flow Management Module for Fan Coils,
Chilled Beams and Other Terminal Unit Applications



New

Ultra compact, prefabricated unit
Provides flow control,
measurement, flushing and isolation
Can be tailored to customer's specifications
For use with Chilled Water, LTHW and MTHW
Reduces time, costs and specification risks

 **Hattersley**™

Quality reliability & service assured



The new generation Hook-Up II is designed to be more compact with reduced centres and is easier to install in tight spaces. Pre-assembled, tested and ready to connect, the Hook-Up II is a cleverly conceived combination of all the components necessary to provide flow management for terminal units, such as fan coils and chilled beams.

Hook-Up II

Maximum Performance Benefits

Hook-Up II provides flow control, measurement, flushing and isolation, using bronze and DZR brass components. It is PN16 rated with versions suitable for chilled, low and medium temperature hot water, ranging from -10°C to a maximum of 120°C. Available in 1/2", 3/4" and 1" sizes.

The Hook-Up II is pre-fabricated using proven, stringently tested Hattersley products. The fully assembled unit is tested to BS EN 12266-1: 2003 prior to delivery. For a complete list of components see the specification for each Fig. No. on the following pages.

The newly designed Hook-Up II features a number of design improvements. A single cast H-body reduces the number of joints, the weight and size of the module. A combination of components can be selected to attach to the H-body, depending on the site specifications

Benefits

For the design engineer there are many advantages. With all the components supplied as one pre-tested unit, minimal design involvement is needed and the performance of the entire unit is known in advance.

For the contractor the need for only four connections offers significant reductions in costs. The fully tested, guaranteed and standardised components are pressure tested before leaving Hattersley. Apart from the cleaning of the strainer, the Hook-Up II is designed to be maintenance free.

This brochure outlines our standard range but other configurations can be made by special arrangement. Our technical team will assist with valve sizing etc.

Flow and Return Connections:

- A** Flow Connection from Pipework
- B** Flow Connection to the Terminal Unit
- C** Return Connection from the Terminal Unit
- D** Return Connection to Pipework

Centralised Isolation Valve

Allows easy back flushing, forward flushing and isolation. An extension stem is added for chilled water services

1

Flushing bypass

11

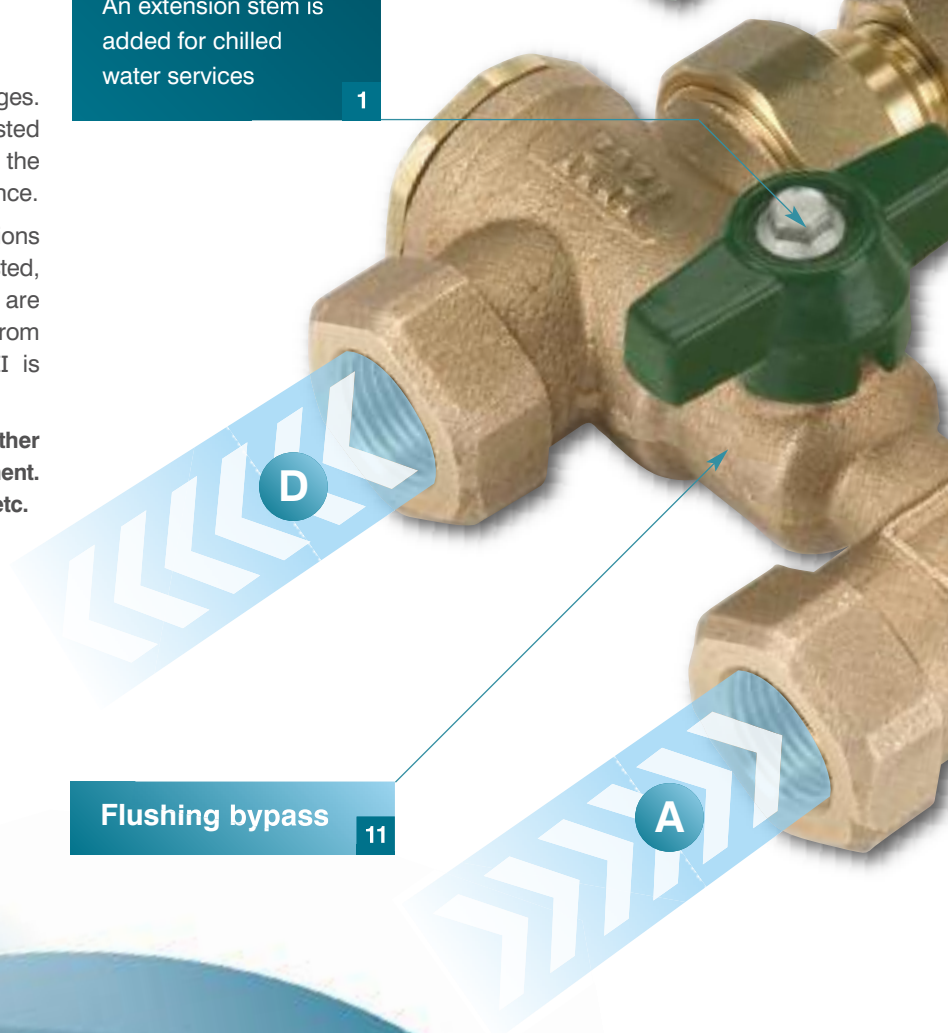


Fig 266 for heating is shown here



Commissioning Set
Adjusts and sets the flow rate with proven high accuracy. Customers can opt for manually set FODRV valve or a motorised FODRV valve (left).

2

Pressure Test Points

On commissioning valves for flow measurement.
On strainer to check pressure drop across load.

3

Draincock

For routine maintenance, allows flushing of strainer without need to remove basket.

4

End Connectors

Simple connection to system. BSP female threads allow connections to any possible pipes using adaptors. Installed directly on flow and return connections of heating and cooling terminal units i.e. fan coils and chilled beams.

5

Strainer (optional)

Keeps system clean. Filters flow before it reaches terminal unit.

6

Union Connector

Allows custom alignment and features an integral O-ring to ensure joints are pressure tight.

7

Extension Stems

For chilled water services, extension stems are fitted as standard to the isolation ball valve to enable lagging.

8

New 'H' body

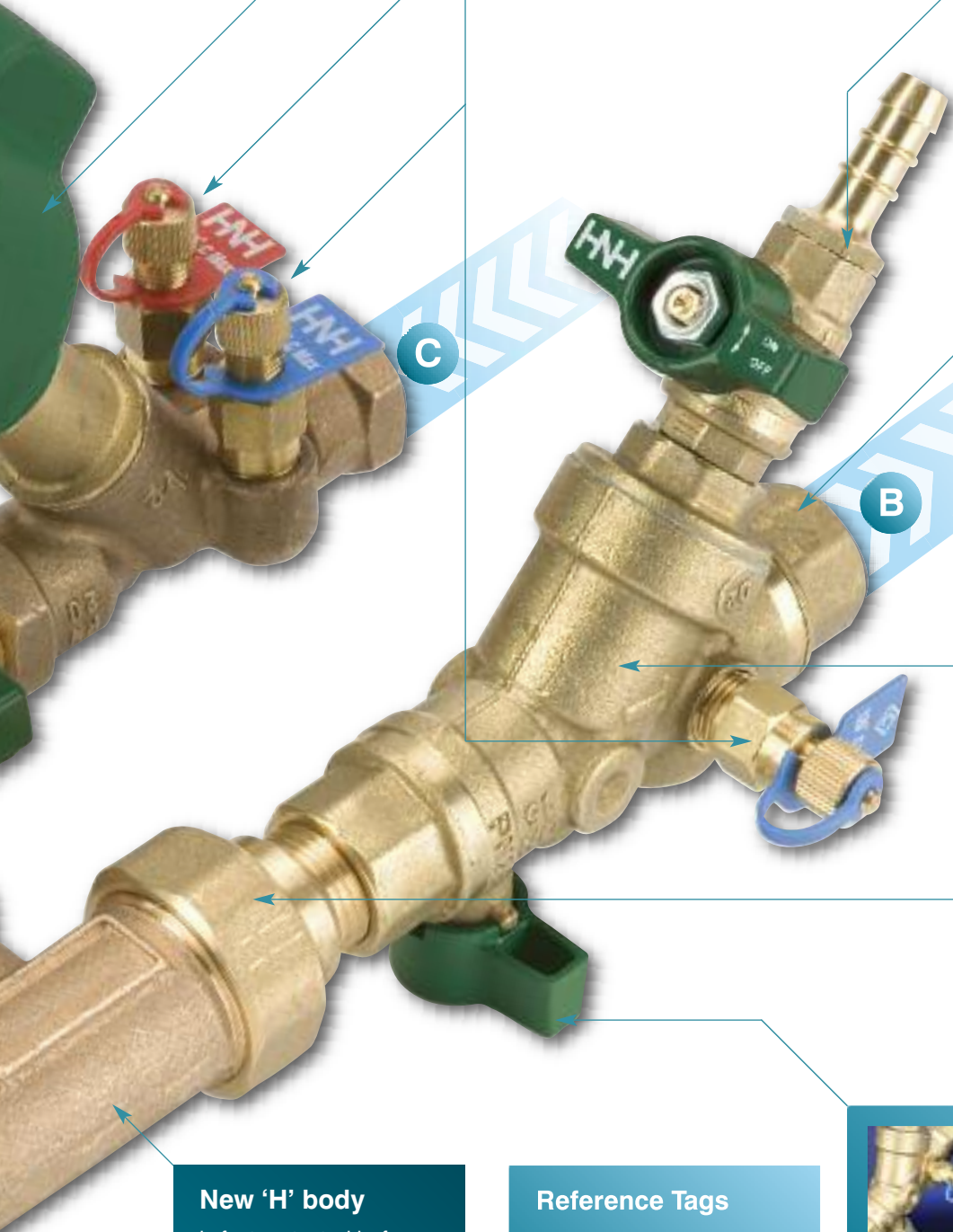
is factory tested before and after final assembly. Consists of one compact casting; reducing weight and size.

10

Reference Tags

Each unit is tagged with individual fan coil reference numbers and relevant customer information as requested.

9



C266 | H266 | Manual (with Drain & Strainer)



Fig C266
for chilled



Fig H266
for heating

MATERIALS

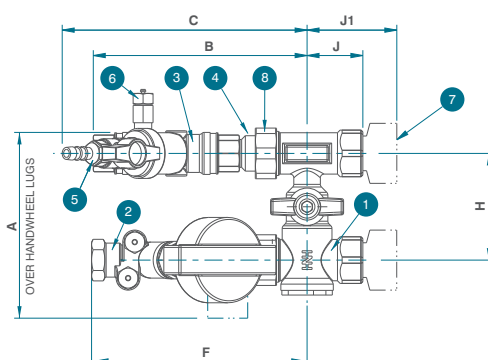
Component	Quantity	Material	BS EN Specification
1. H - Body	1	Bronze	1982 CC491K
2. Fig. 1732/M/L FODRV	1	Bronze	1982 CC491K
3. Fig. 1807 Strainer Ball	1	DZR Brass	12165 CW602N
4. Union Connector	2	DZR Brass	12165 CW602N
5. Fig. 103 Blow Down Valve	1	DZR Brass	12165 CW602N
6. Fig. 631 Test Point	1	DZR Brass	12164 CW602N
7. Adaptors for 1" only*	2	DZR Brass	12164 CW602N
8. Union Nut	2	Brass	12164 CW614N

*For 1" system pipework, adaptors can be fitted to our standard units

DIMENSIONS AND WEIGHTS

Nominal Size	Unit	1/2" female	3/4" female	1" female
A	mm	143	143	150
B	mm	170	185	221
C	mm	205	215	251
D	mm	38	47	50
D1	mm	105	119	123
E	mm	110	120	120
F	mm	168	175	190
G	mm	110	111	132
H	mm	80	80	80
J	mm	42	42	42
J1	mm	-	-	70
Weight	kg	2.35	2.70	3.40

DIMENSIONAL DRAWING



(right-hand configuration shown)

Fig C266

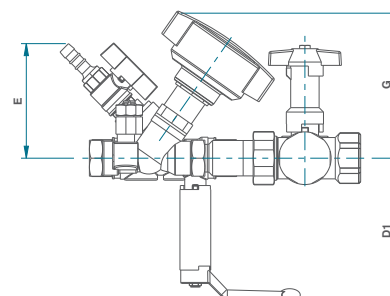
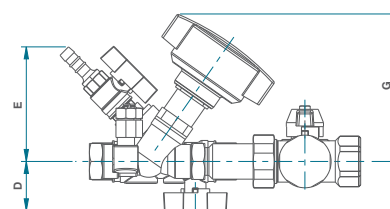


Fig H266



Pressure/Temperature Rating PN16 -10° to 120°C

Service Rating Fig. C266 is suitable for chilled water applications | Fig. H266 is suitable for LTHW and MTHW applications

Test Pressures Tested to BS EN 12266-1: 2003

Specification Both modules can adopt a left or right-handed configuration

C268 | H268 | Manual (without Drain & Strainer)



Fig C268
for chilled

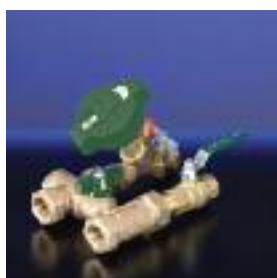


Fig H268
for heating

MATERIALS

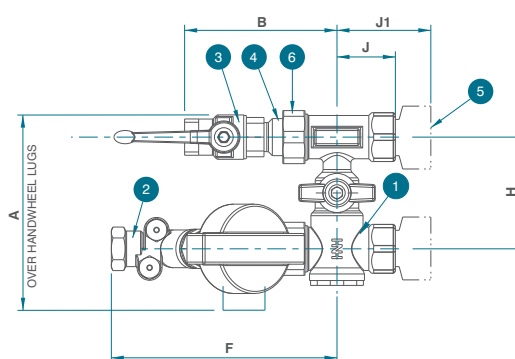
Component	Quantity	Material	BS EN Specification
1. H - Body	1	Bronze	1982 CC491K
2. Fig. 1732/M/L FODRV	1	Bronze	1982 CC491K
3. Fig. 100 Ball Valve	1	DZR Brass	12165 CW602N
4. Union Connector	2	DZR Brass	12165 CW602N
5. Adaptors for 1" only*	2	DZR Brass	12164 CW602N
6. Union Nut	2	Brass	12164 CW614N

*For 1" system pipework, adaptors can be fitted to our standard units

DIMENSIONS AND WEIGHTS

Nominal Size	Unit	1/2" female	3/4" female	1" female
A	mm	143	143	150
B	mm	120	125	149
D	mm	45	54	57
D1	mm	110	119	123
F	mm	168	175	190
G	mm	110	111	132
H	mm	80	80	80
J	mm	42	42	42
J1	mm	-	-	70
Weight	kg	1.90	2.20	2.75

DIMENSIONAL DRAWING



(right-hand configuration shown)

Fig C268

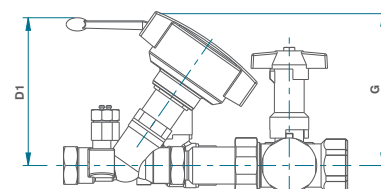
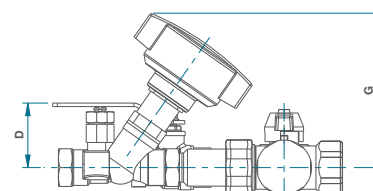


Fig H268



Pressure/Temperature Rating PN16 -10° to 120°C

Service Rating Fig. C268 is suitable for chilled water applications | Fig. H268 is suitable for LTHW and MTHW applications

Test Pressures Tested to BS EN 12266-1: 2003

Specification Both modules can adopt a left or right-handed configuration

C267 | H267 | MotoBalance (with Drain & Strainer)



Fig C267
for chilled



Fig H267
for heating

MATERIALS

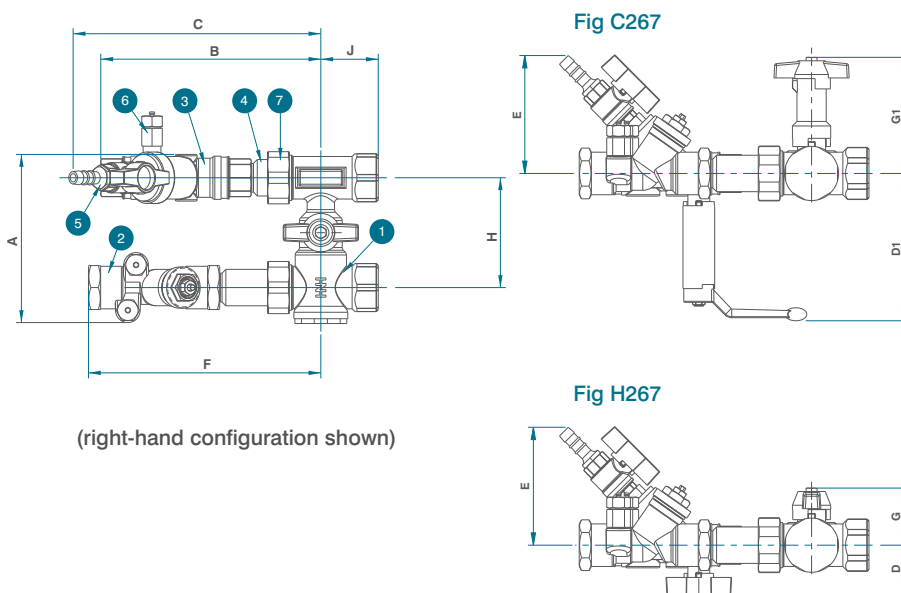
Component	Quantity	Material	BS EN Specification
1. H - Body	1	Bronze	1982 CC491K
2. Fig. 1832/M/L FODRV	1	Bronze	1982 CC491K
3. Fig. 1807 Strainer Ball	1	DZR Brass	12165 CW602N
4. Union Connector	2	DZR Brass	12165 CW602N
5. Fig. 103 Blow Down Valve	1	DZR Brass	12165 CW602N
6. Fig. 631 Test Point	1	DZR Brass	12164 CW602N
7. Union Nut	2	Brass	12164 CW614N

DIMENSIONS AND WEIGHTS

Nominal Size	Unit	1/2" female	3/4" female
A	mm	125	125
B	mm	170	185
C	mm	205	215
D	mm	38	47
D1	mm	105	119
E	mm	110	120
F	mm	168	175
G	mm	43	43
G1	mm	85	85
H	mm	80	80
J	mm	42	42
Weight	kg	2.20	2.54

NB. No 1" available

DIMENSIONAL DRAWING



Pressure/Temperature Rating PN16 -10° to 120°C

Service Rating Fig. C267 is suitable for chilled water applications | Fig. H267 is suitable for LTHW and MTHW applications

Test Pressures Tested to BS EN 12266-1: 2003

Specification Both modules can adopt a left or right-handed configuration

C269 | H269 | MotoBalance (without Drain & Strainer)



Fig C269
for chilled



Fig H269
for heated

MATERIALS

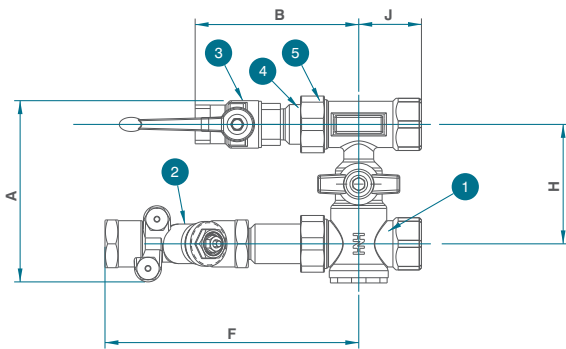
Component	Quantity	Material	BS EN Specification
1. H - Body	1	Bronze	1982 CC491K
2. Fig. 1832/M/L FODRV	1	Bronze	1982 CC491K
3. Fig. 100 Ball Valve	1	DZR Brass	12165 CW602N
4. Union Connector	2	DZR Brass	12165 CW602N
5. Union Nut	2	Brass	12164 CW614N

DIMENSIONS AND WEIGHTS

Nominal Size	Unit	1/2" female	3/4" female
A	mm	125	125
B	mm	120	125
D	mm	45	54
D1	mm	110	119
F	mm	168	175
G	mm	43	43
G1	mm	85	85
H	mm	80	80
J	mm	42	42
Weight	kg	1.75	2.04

NB. No 1" available

DIMENSIONAL DRAWING



(right-hand configuration shown)

Fig C269

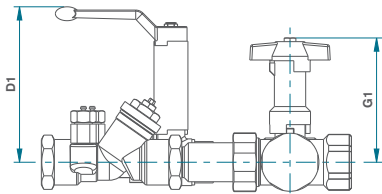
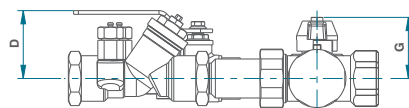


Fig H269



Pressure/Temperature Rating PN16 -10° to 120°C

Service Rating Fig. C269 is suitable for chilled water applications | Fig. H269 is suitable for LTHW and MTHW applications

Test Pressures Tested to BS EN 12266-1: 2003

Specification Both modules can adopt a left or right-handed configuration

C262 | H262 | Autoflow (with Drain & Strainer)



Fig C262
for chilled



Fig H262
for heating

MATERIALS

Component	Quantity	Material	BS EN Specification
1. H - Body	1	Bronze	1982 CC491K
2. Fig. 1051 Autoflow	1	DZR Brass	12165 CW602N
3. Fig. 1807 Strainer Ball	1	DZR Brass	12165 CW602N
4. Union Connector	2	DZR Brass	12165 CW602N
5. Fig. 103 Blow Down Valve	1	DZR Brass	12165 CW602N
6. Fig. 631 Test Point	1	DZR Brass	12164 CW602N
7. Adaptors for 1" only*	2	DZR Brass	12164 CW602N
8. Union Nut	2	Brass	12164 CW614N

*For 1" system pipework, adaptors can be fitted to our standard units

DIMENSIONS AND WEIGHTS

Nominal Size	Unit	1/2" female	3/4" female	1" female
A	mm	130	135	140
B	mm	170	185	221
C	mm	205	215	251
D	mm	51	51	68
D1	mm	105	119	123
E	mm	110	120	120
F	mm	220	225	295
G	mm	43	43	43
G1	mm	85	85	85
H	mm	80	80	80
J	mm	42	42	42
J1	mm	-	-	70
Weight	kg	2.78	3.09	4.67

DIMENSIONAL DRAWING

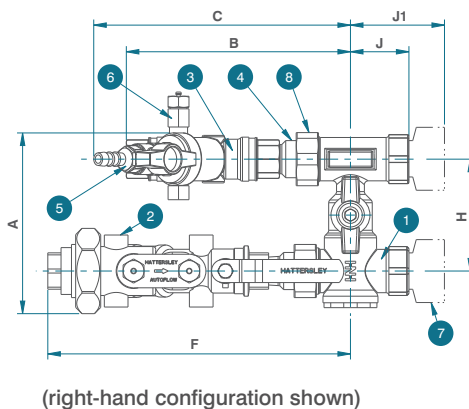


Fig C262

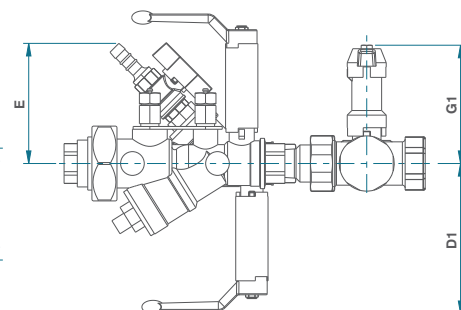
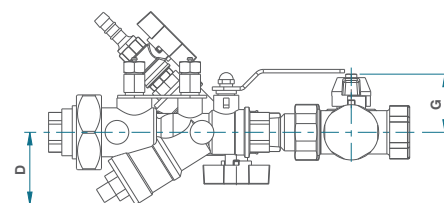


Fig H262



Pressure/Temperature Rating PN16 -10° to 120°C

Service Rating Fig. C262 is suitable for chilled water applications | Fig. H262 is suitable for LTHW and MTHW applications

Test Pressures Tested to BS EN 12266-1: 2003

Specification Both modules can adopt a left or right-handed configuration

C264 | H264 | Autoflow (without Drain & Strainer)



Fig C264
for chilled



Fig H264
for heating

MATERIALS

Component	Quantity	Material	BS EN Specification
1. H - Body	1	Bronze	1982 CC491K
2. Fig. 1051 Autoflow	1	DZR Brass	12165 CW602N
3. Fig. 100 Ball Valve	1	DZR Brass	12165 CW602N
4. Union Connector	2	DZR Brass	12165 CW602N
5. Adaptors for 1" only*	2	DZR Brass	12164 CW602N
6. Union Nut	2	Brass	12164 CW614N

*For 1" system pipework, adaptors can be fitted to our standard units

DIMENSIONS AND WEIGHTS

Nominal Size	Unit	1/2" female	3/4" female	1" female
A	mm	130	135	140
B	mm	120	125	149
D	mm	45	54	57
D1	mm	110	119	123
F	mm	220	225	295
G	mm	43	43	43
G1	mm	85	85	85
H	mm	80	80	80
J	mm	42	42	42
J1	mm	-	-	70
K	mm	51	51	68
Weight	kg	2.33	2.59	4.07

DIMENSIONAL DRAWING

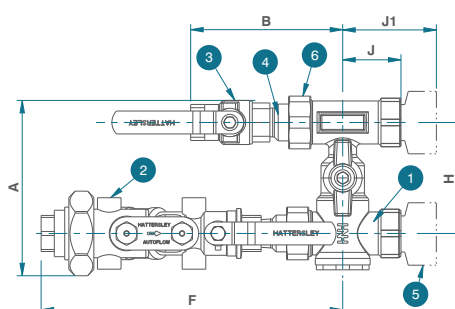


Fig C264

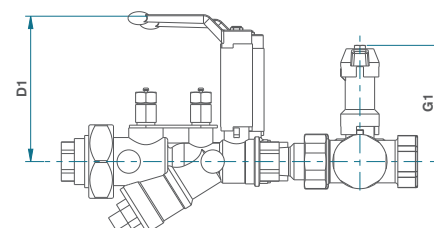
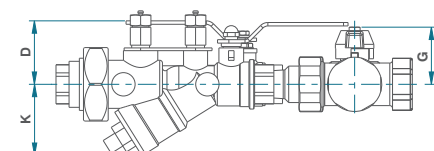


Fig H264



(right-hand configuration shown)

Pressure/Temperature Rating PN16 -10° to 120°C

Service Rating Fig. C264 is suitable for chilled water applications | Fig. H264 is suitable for LTHW and MTHW applications

Test Pressures Tested to BS EN 12266-1: 2003

Specification Both modules can adopt a left or right-handed configuration



PO BOX 719, IPSWICH, IP1 9UD

HOME SALES: +44 (0)1744 458670

EXPORT SALES: +44 (0)1744 458671

TECHNICAL HELPLINE: +44 (0)845 604 1790

FAX: +44 (0)1744 26912

EMAIL: uksales@hattersley.com

EMAIL: export@hattersley.com

EMAIL: tech-enquiries@hattersley.com

www.hattersley.com



FM311
ISO 9001



Visit www.flowoffluids.com to order your copy of the New Technical Paper 410.

- Designed and manufactured under quality management systems in accordance with BS EN 9001:2008

Every effort has been made to ensure that the information contained in this publication is accurate at the time of publishing. Hattersley assumes no responsibility or liability for typographical errors or omissions or for any misinterpretation of the information within this publication and reserves the right to change without notice.